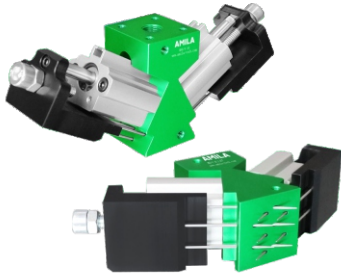


Needle Grippers

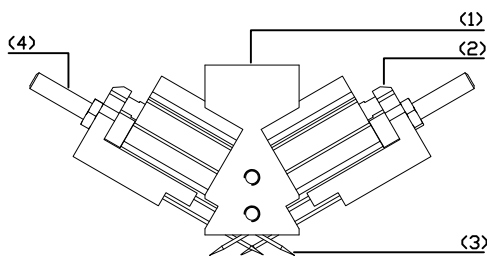
Needle Grippers MNG-V

NO. of needles: 10

Needle Grippers MNG-V



System design Needle Grippers MNG-V



Introduction and application

- ◆ Needle gripper for handling non-rigid and highly porous materials (primarily textiles)
- ◆ Handling materials that are difficult to grip using vacuum such as composite textiles, fleece, filter materials, insulation and foam materials etc.

Design

- ◆ Robust aluminum housing (1)
- ◆ Drive via double-acting pneumatic cylinders (2)
- ◆ 10 needles with diameter 1.2 mm(3)
- ◆ Insertion angle 30°
- ◆ Continuously variable stroke adjustment (4)
- ◆ Optional mounting with holder system BEF

Ordering Guide Needle Grippers MNG-V

Type	NO. of needles	Needle diameter[mm]	Add. function	Variable stroke[mm]	Ordering Data
MNG-V 10 1.2V7	10	1.2	The stroke of the V needles can be adjusted	7	90.03.01.00041
MNG-V 10 1.2V-HT7	10	1.2	The stroke of the V-HT needles can be adjusted and resistant to high temperature.	7	90.03.01.00042

Technical Data Needle Grippers MNG-V

Type	NO. of needles	Needle diameter [mm]	Add. function	Operating pressure [bar]	Operating temperature [°C]	Weight [g]	stroke [mm]
MNG-V 10 1.2V7	10	1.2	Variable stroke	3.0...7.0	5...60	265	7

Combined Suction Cups

Vacuum Suction Cups

Composite Suction Cups

Special Grippers

Vacuum Gripping Systems

Mounting Elements

Vacuum Generators

Valve Technology

Switch And Monitoring

Vacuum Filters

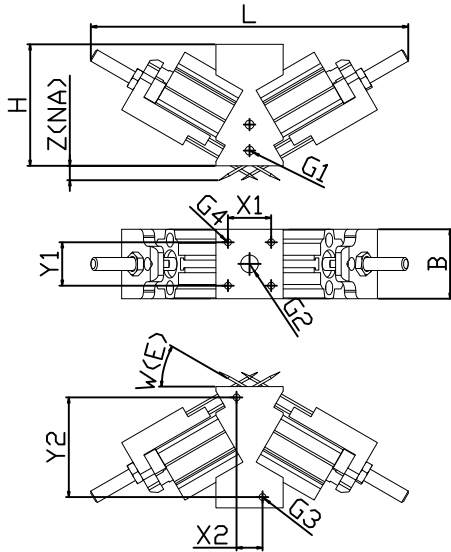
Needle Grippers

Needle Grippers MNG-V

NO. of needles: 10

Design Data Needle Grippers MNG-V

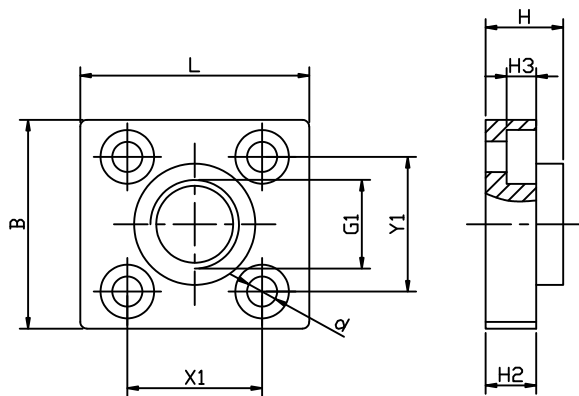
MNG-V



Type	Dimensions[mm]												
	B	G1	G2	G3	G4	H	L	W(E)	X1	X2	Y1	Y2	Z(NA)
MNG-V 10 1.2V7	32	M5-F	G1/8"-F	M4-F	M4-F	56	149	30	20	12	20	46	7
MNG-V 10 1.2V-HT7	32	M5-F	G1/8"-F	M5-F	M5-F	56	149	30	20	12	20	29	7

Design Data of installation board

BEF-PL MNG



Type	Dimensions[mm]									
	B	d	G1	H	H2	H3	L	X1	Y1	
Installation board BEF-PL MNG	31	4.5	G1/4"-F	11.5	7.5	4.4	34	20	20	